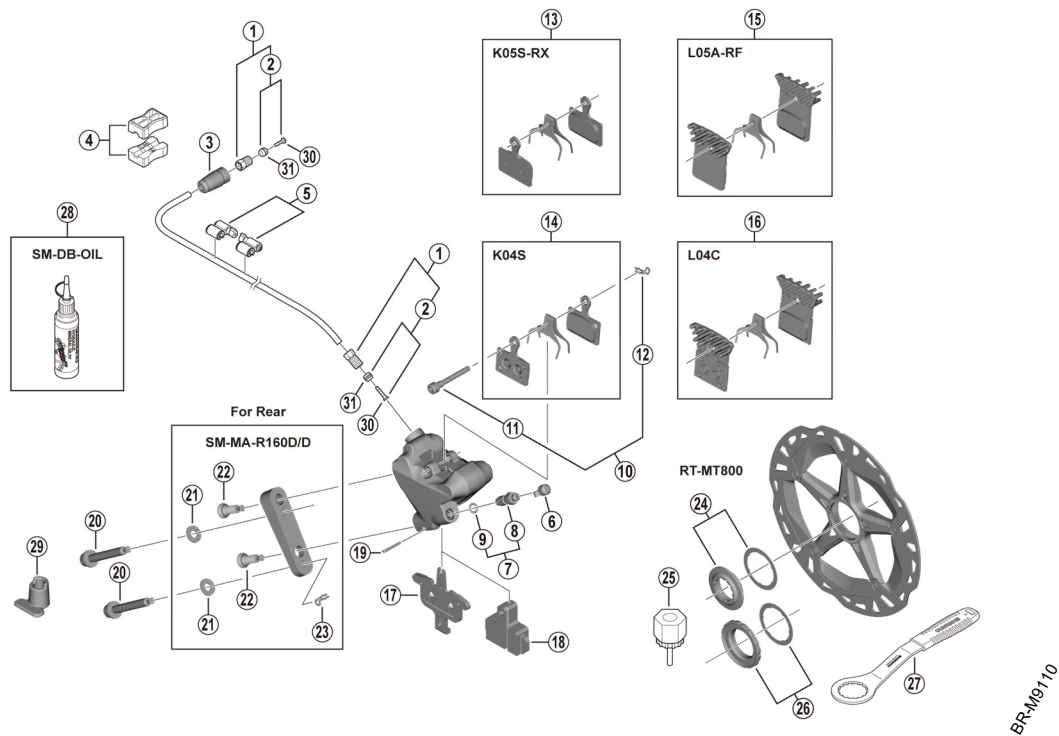


DEORE XT Disc Brake
BR-M8110 Brake Caliper
RT-MT800 Disc Rotor

SM-BH90-SS Brake Hose



ITEM NO.	SHIMANO CODE NO.	DESCRIPTION	INTERCHANGEABILITY	
1	Y8JA98010	Flare nut unit	A	
2	Y8JA98020	Olive and connector insert	A	
3	Y1XJ16000	Cover	A	
4	Y8H198030	TL-BH61 Shimano original tool (2 pcs.)	A	
5	Y83098040	SM-HANG Hose supporter A and B	A	
6	Y8B214000	Bleed nipple cap	A	
7	Y8CL98050	Bleed nipple and seal ring	A	
8	Y8CL24200	Bleed nipple	A	
9	Y8B511001	O-ring for bleed nipple	A	
10	Y8JZ98010	Pad axle and snap retainer	A	
11	Y8JZ05000	Pad axle		
12	Y8J716000	Snap retainer	A	
*	EBPK05SRXA Y2GM98030	K05S-RX Resin pad and spring (pair)		
*	IBPK04SMXA Y8N398020	K04S Metal pad and spring (pair)	A	
*	EBPL05ARFA Y2EM98010	L05A-RF Resin pad with fin and spring (pair)		
*	EBPL05ARFBS Y2EM98011	L05A-RF Resin pad with fin and spring (25 pairs)		
*	IBPL04CMFA Y8N398040	L04C Metal pad with fin and spring (pair)		
17	Y8N218000	Pad spacer	A	
18	Y8N219000	Bleeding spacer	A	
19	Y8N207000	Screw fixing pin	A	
20	Y8N208050	Caliper fixing screw C for 15 mm rear mount thickness		
	Y8N208010	Caliper fixing screw C for 20 mm rear mount thickness	B	
	Y8N208020	Caliper fixing screw C for 25 mm rear mount thickness	B	
	Y8N208030	Caliper fixing screw C for 30 mm rear mount thickness	B	
21	Y8NU02000	Washer for R160 adapter	A	
22	Y8N206000	Caliper fixing screw B	A	
23	Y8NU03000	Snap retainer	A	
24	Y8K198010	Lock ring and washer		
25	Y12009230	TL-LR15 Lock ring removal tool	A	
26	Y2A598030	Lock ring and washer (external spline type)		
27	Y13098000	TL-FC36 Lock ring removal tool	A	
28	Y83998020	Mineral oil (100 ml)	A	
	Y83998030	Mineral oil (500 ml)	A	
29	Y8N221000	Screw length selector	A	
30	Y8JA98026	Connecting insert (100 pcs.)		
31	Y8H298047	Olive (100 pcs.)		

A: Same parts.

B: Parts are usable, but differ in materials, appearance, finish, size, etc.

Absence of mark indicates non-interchangeability.

Specifications are subject to change without notice.

Jul.-2022-4682B

© Shimano Inc. I

SHIMANO